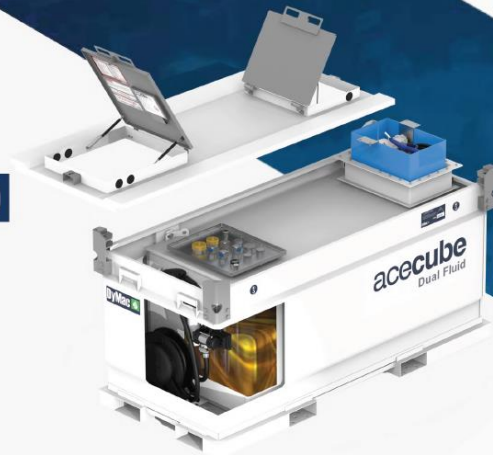


acecube

Dual Fluid



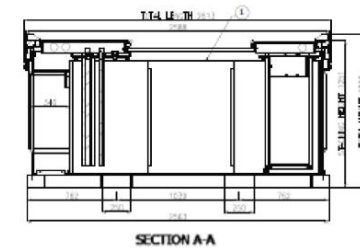
Model (AC-DF-1800/140L) (475G/37G)

The AceCube Dual Fluid AC-DF-1800/140L is designed for the safe and secure transporting and storage of various industrial lubricants and hazardous liquids worldwide

Plastic Ad-Blue DEF 140 Litres/100 Gallons

Specifications

	Metric	US
Capacity	140 Litres	37 Gallons
Length	714 mm	28"
Width	514 mm	20"
Height	949 mm	37"
Wall Thickness	4 mm	15"



Specifications

	Metric	US	Imperial
Capacity	1800 Litres	476 Gallons	396 Gallons
Length	2613 mm	102 13/16"	102 13/16"
Width	1179 mm	46 6/16"	46 6/16"
Height	1296 mm	51"	51"
Outer Tank Thickness	3 mm	1/16"	1/16"
Inner Tank Thickness	4 mm	2/16"	2/16"
Weight, Tare	1001 kg	2207 lbs, 7oz	2207 lbs, 7oz
Weight, Laden	2796 kg	6164 lbs, 2oz	6164 lbs, 2oz
Safe Fuel Fill Level	1710 Litres	452 Gallons	376 Gallons

Approvals and Certifications

UK & Europe

- ✓ Trade Mark Certificate Europe
- ✓ Trade Mark Certificate UK
- ✓ (IBC) Intermediate Bulk Containment
- ✓ UN 31 A/Y
- ✓ Adhering to ADR regulations
- ✓ Lifting when Full Certified
- ✓ PPG2 & PPG26
- ✓ Vibration Tested
- ✓ UL142
- ✓ ULCS601-14
- ✓ Patent no: GB2502198

USA & Canada

- ✓ (IBC) Intermediate Bulk Containment
- ✓ TSSA 81390 ON - 2006 (Optional)
- ✓ UN 31 A/Y
- ✓ DOT USA
- ✓ DOT Canada
- ✓ Lifting when Full Certified
- ✓ Vibration Tested
- ✓ UL142
- ✓ ULCS601-14
- ✓ Patent no: GB2502198

The range has an extra large equipment compartment area that can house a variety of accessories.



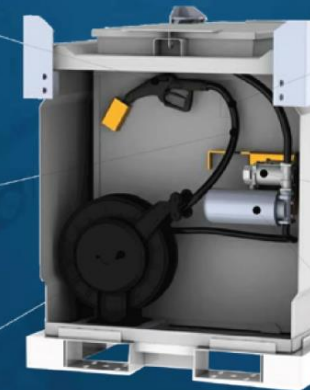
DISPENSING NOZZLE VARIATIONS



HOSES WITH ISO QUICK RELEASE COUPLERS



UP TO 10M OR 32FT RETRACTABLE HOSE REELS



DIGITAL FLOW METERS



ENGINE DRIVEN OR ELECTRIC PUMPS



IN LINE PARTIAL SEPARATION FILTERS