

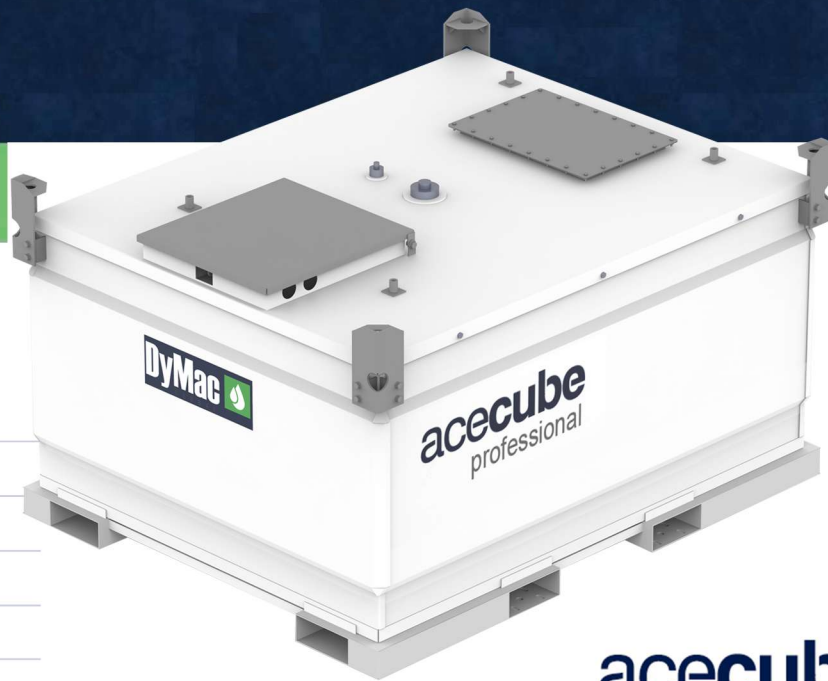


SPECIFICATION DATA SHEET

MODEL - ACP - 3000L

APPROVALS & CERTIFICATIONS

- Built to UN31/AY standards
- Built to UL142 standards
- Lift when empty
- 110% Bunded
- Environmental protection tank



acecube
professional

DESIGN FEATURES

- ✓ Bi-directional forklift pockets, internal baffle, painted hatch lid, stacking corners, lifting points for inner tank removal and integrated base frame
- ✓ Designed to stack inside shipping containers and across truck beds providing economical transportation
- ✓ Unique hexagonal corners for extra strength
- ✓ 2 spill box side openings with grommets for secure and safe hose/cable connections
- ✓ Extra large pump compartment designed for easy mounting/storing of hose reels, pumps, gun nozzles, cables, batteries and bund alarms
- ✓ Large primary hatch access lid for multiple use and versatility
- ✓ Fittings located under primary hatch lid are- 3 inch fill, 1 inch feed with internal feed pipe, 2 inch pressure vacuum, 2 inch dipstick access, 1 1/2 inch level gauge
- ✓ Primary hatch has a secure lockable design
- ✓ Space efficient design easily stacked 3 high when empty and 2 high when full



SPECIFICATION DATA SHEET

MODEL - ACP - 3000L

FITTINGS

Pump bay 3 inch (80mm) fusible fill cap, 2 inch (50mm) pressure vacuum, 1/4" breather vent, 1 inch (25mm) Feed with 1" T - Piece and 1 inch (25mm) internal pipe to bottom interior of the tank. 1 inch feed fitted with 1 inch valve for genset connection. 1 1/2" (38mm) port with dial type float level gauge and 2" (50mm) spare port.

EXTERNAL

5" (125mm) spare port & 2" (50mm) spare port located on top central of the tank

Capacity (Liters)	3000	Outer Tank Thickness (mm)	3
Capacity (US Gallons)	792	Inner Tank Thickness (mm)	3
Length (mm/ft)	2300/7'5"	Weight, Tare (Kg/lb)	777/1712
Width (mm/ft)	1845/6'1"	Weight, Laden (Kg/lb)	3342/7367
Height (mm/ft)	1320/4'3"	Safe Fuel Fill Levels (Liters)	2850

*Calculations are based on safe fill levels at 95% total tank capacity & specific gravity of diesel as 0.9

COMPLETELY REMOVABLE INNER TANK

Standard

Removable Stacking
Corner Brackets

Fittings
Bay

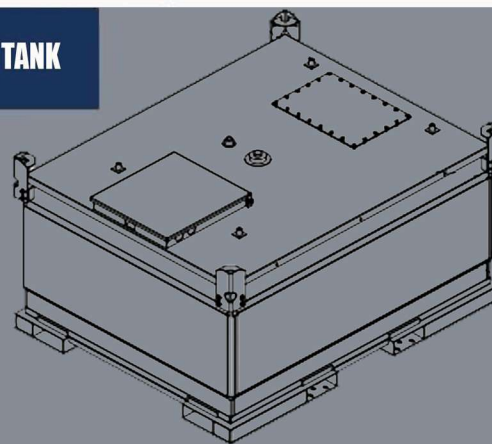
Pump Mounting
Bracket

Optional

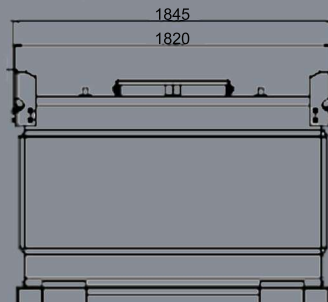
Retractable
Hose Reels

Dispensing
Nozzles

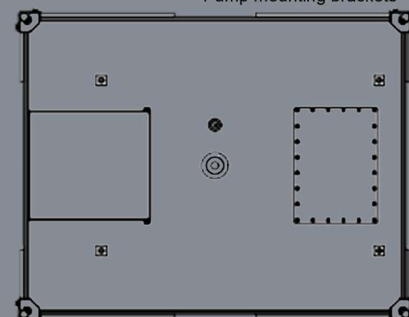
Electric
Pumps



ISOMETRIC VIEW



SIDE VIEW



PLAN VIEW



ELEVATION VIEW

- Removable inner tank
- Enclosed tank connection bay
- Removable Stacking corner brackets
- 4 bosses for attachment of lifting eyes
- Pump mounting brackets